

# Parachute Mobile Communications Diagram

Mission 13 cocurrent with Pacificon 2012

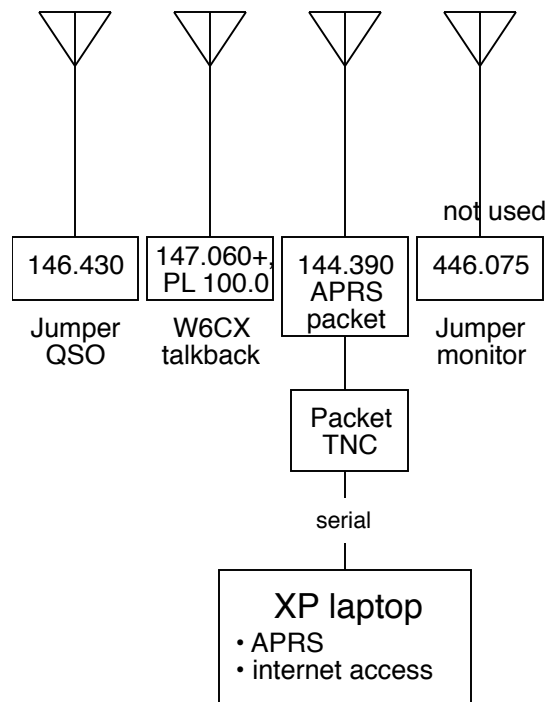


Voice Comms: 146.430 MHz  
 Jumper Mon: 446.075 MHz (not used)  
 APRS telemetry: 144.390 MHz  
 Video: 2.4 GHz (1.2 GHz not used)

aprs.fi data includes AF6IM and KF6WRW

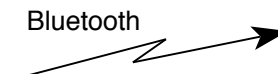
## Byron Airport

### Tac Ops



146.430 jumper QSO  
 147.060 W6CX  
 446.075 jumper mon not used  
 K6SRM repeater not used,  
 audio too weak.

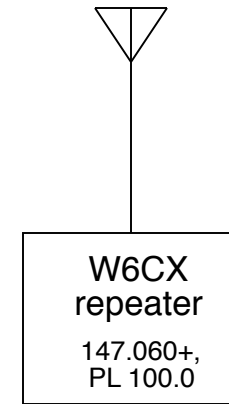
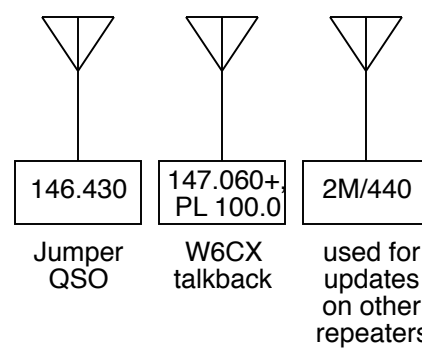
Weather Box  
 local windspeed, wind direction, temperature, barometric pressure



From APRS packet:  
 Jumper GPS location, HR and SpO2  
 From Weather Box:  
 Local windspeed and other weather info

## Mt Diablo

### Parachute Control

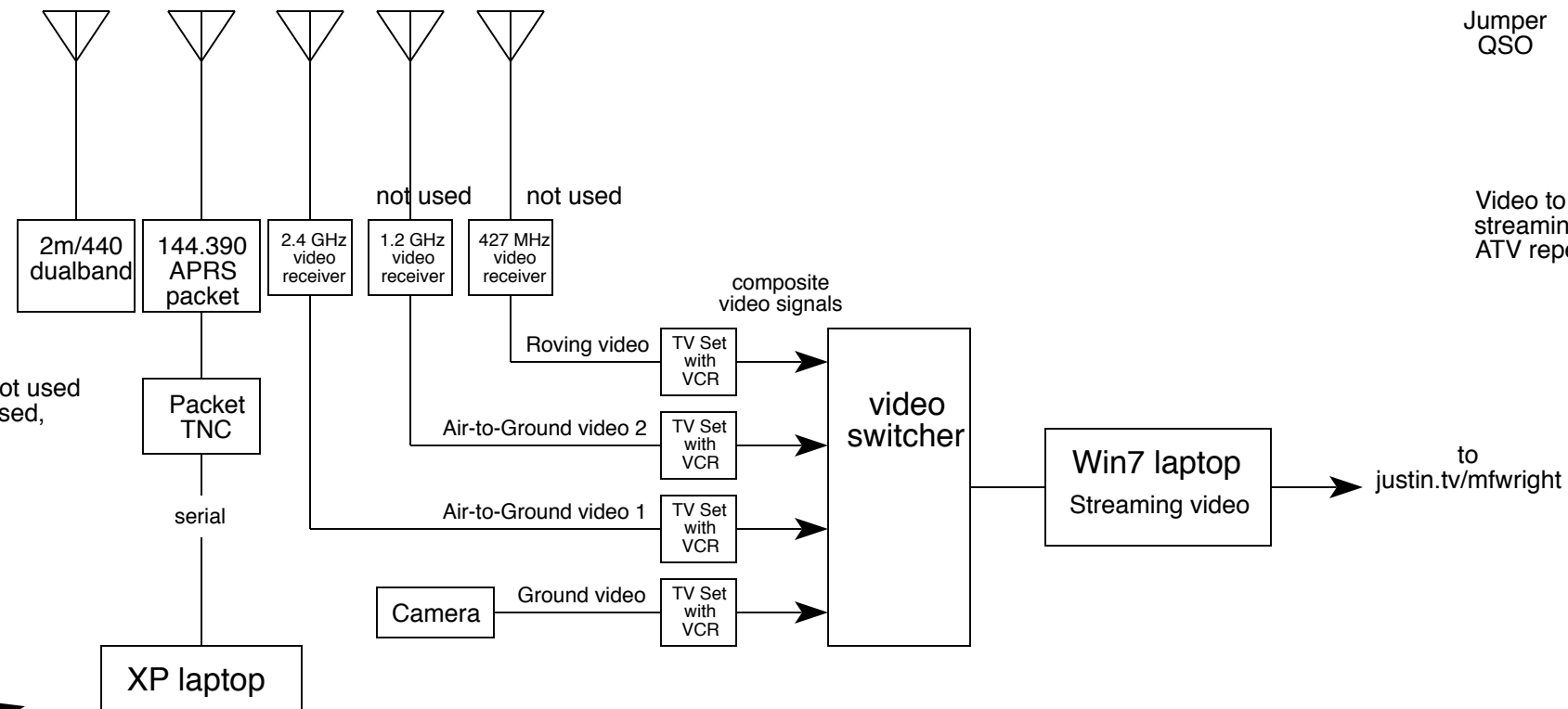


### NOTES:

APRS frequency was 144.390 MHz though we planned to use 144.330 since jumper transmissions are more frequent. No local igate station was used.

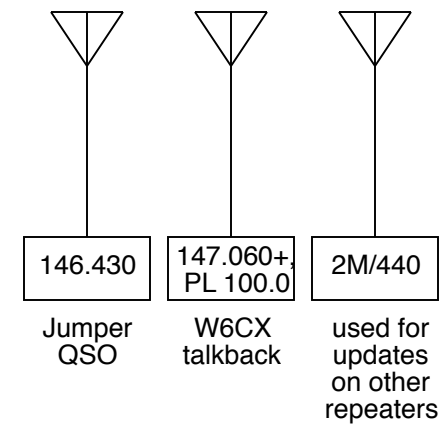
Not all systems shown here were used.

### Video and APRS Ops



TV sets are Sansui brand with built-in VHS decks and composite video outputs.

## Pacificon at Santa Clara Marriott



Video to Pacificon will be sent streaming via justin.tv/mfwright  
 ATV repeater not used.

live video from justin.tv/mfwright

Internet streaming computer

large size monitor

Michael Wright, K6MFW  
 OCT 15, 2012  
 Rev 1 (as built)