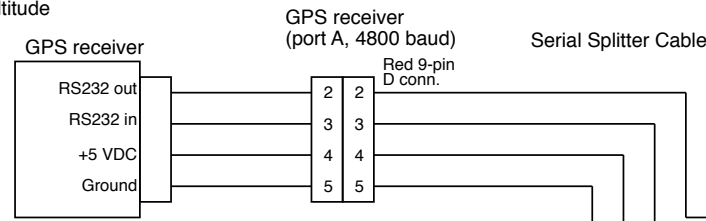
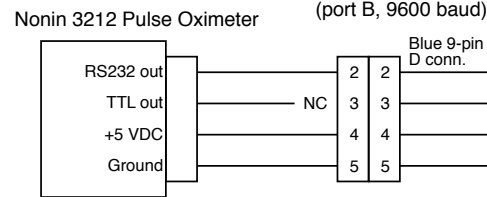


GPS/PulseOx to APRS Transmitter Wiring Diagram, PM-E1006

Latitude, Longitude, Altitude

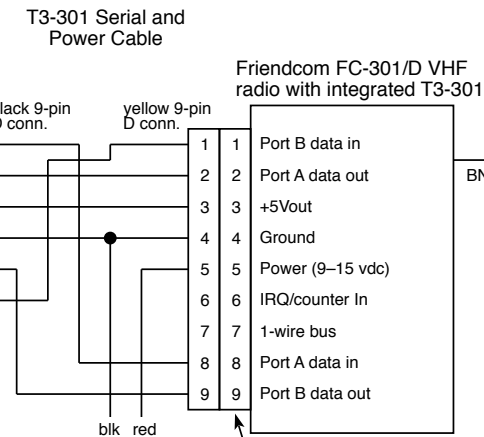


Heart rate (pulse), Blood O2 saturation



Serial Splitter Cable
"Y" splitter cable, 1 female DB9 to two male DB9s. When used with the Tracker2, Tracker3, or OpenTracker USB, port 'A' will be on the red connector and port 'B' on the blue connector. Both connectors have pins 4 and 5 connected straight through for GPS power and ground. The connections are as follows:

- Black 2 - Red 2
- Black 3 - Red 3
- Black 4 - Red 4 and Blue 4
- Black 5 - Red 5 and Blue 5
- Black 7 - Blue 3
- Black 8 - Blue 2



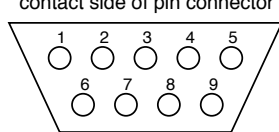
T3-301 Serial and Power Cable
This cable is designed to simplify connection of the T2-301 or T3-301 TNC/radio combination. The yellow end connects to the tracker module, and the black end has the same pinouts as the OT2m/OT3m, allowing direct connection of a GPS receiver, PC, Y-splitter cable, etc.

Power is provided to the tracker through the red and black power lead. Anderson Powerpole connectors or a cigarette lighter plug with LED indicator are available as options below. Power lead length is 50 cm / 19", data lead length is 12 cm / 5".

This cable should not be used with the FC-301/D radio without the tracker board installed.

- 1 Port B in
- 2 Port A out
- 3 +5V out
- 4 GND
- 5 Power in (9-15V)
- 6 IRQ/Counter in
- 7 1-wire bus
- 8 Port A in
- 9 Port B out

DB-9, solder side of socket connector, or contact side of pin connector

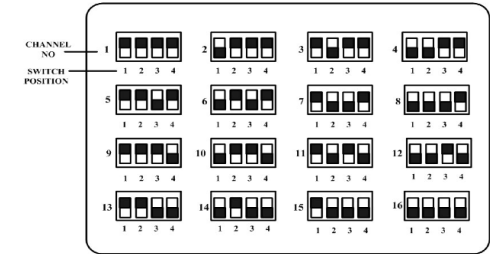
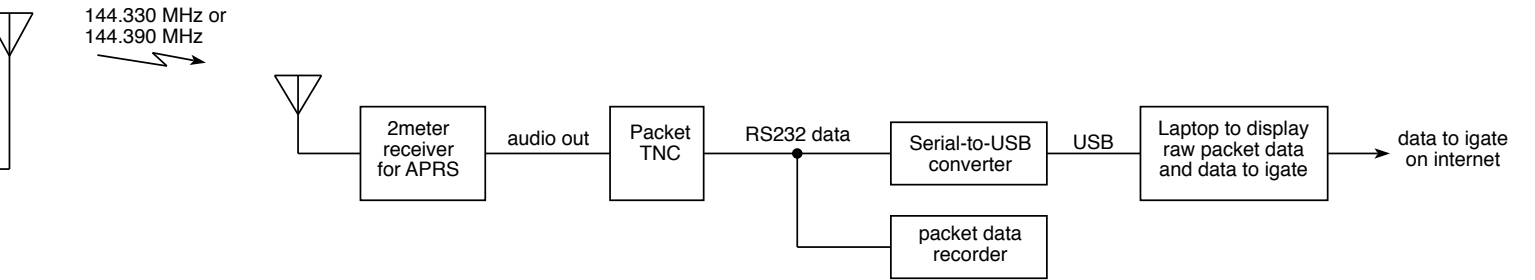


NOTES: UNLESS OTHERWISE SPECIFIED

1 APPLY

2

144.330 MHz or 144.390 MHz



Drawing Index:

PM-E1000	General Wiring Diagram
PM-E1001	Primary Air-to-Ground Wireless Video Wiring Diagram
PM-E1002	Secondary Air-to-Ground Wireless Video Wiring Diagram
PM-E1003	I-Gate Station Wiring Diagram
PM-E1004	UHF Wireless Video Wiring Diagram
PM-E1005	Video Receive, Select, and Stream Wiring Diagram
PM-E1006	GPS and PulseOx to APRS Transmitter Wiring Diagram
PM-E1007	Weather Station Wiring Diagram
PM-E1008	Jumper 2-Way Radio Communications Wiring Diagram
PM-E1009	Jumper 10-meter HF Global Communications Wiring Diagram

1	10-13-15	Updated drawing numbers.	MF Wright
0	10-6-15	initial release	MF Wright
REV	DATE	REVISION DESCRIPTION	DRAWN APP

PARACHUTE MOBILE "In The Air, On The Air"
www.parachutemobile.org

Parachute Mobile Communication Systems
GPS and PulseOx to APRS Transmitter Wiring Diagram

DRAWN MF WRIGHT	CHK	INDEX	FSCM. NO.	LIMITS UNLESS NOTED
DESIGN ENGR MF WRIGHT	TEAM POSITION Video Ops		DATE 10-13-15	
NEXT ASSY	USE ON	CONSULTANT M. PECHNER	AS DWG NO Sheet 1 of 1	REV
APPLICATION		TEAM COORDINATOR R. FENN	SCALE NONE	PM-E1006 1