

D

C

B

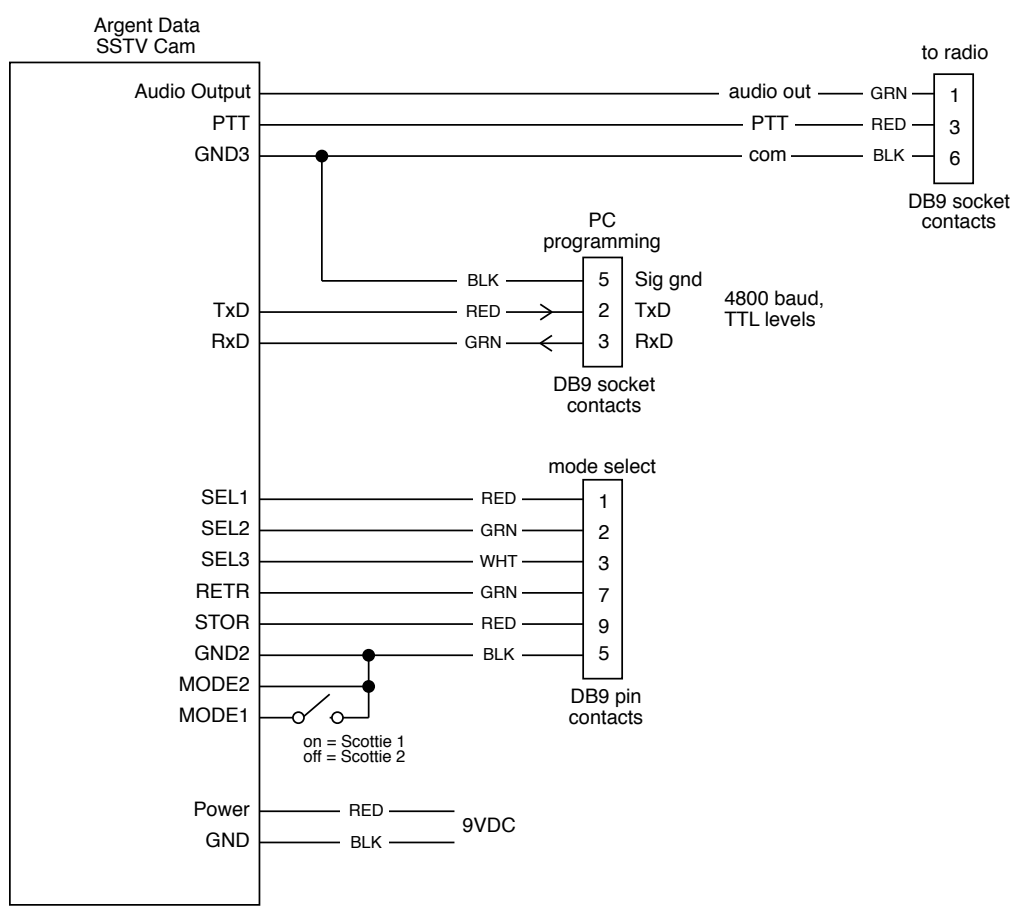
A

D

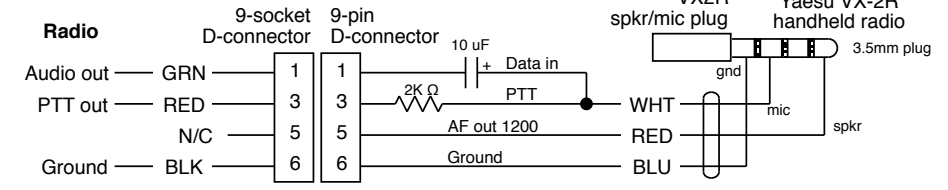
C

B

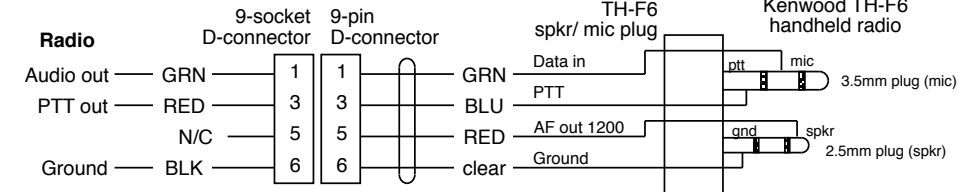
A



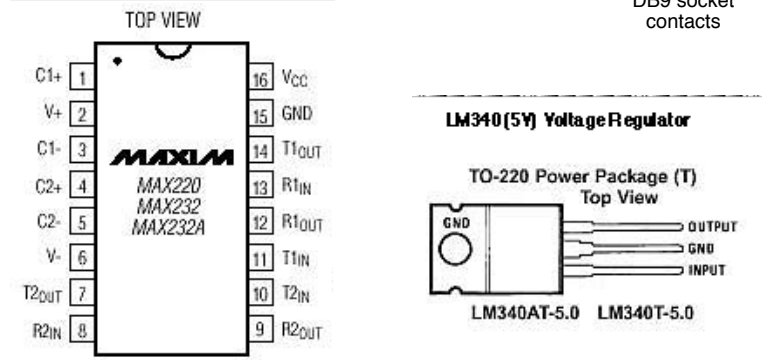
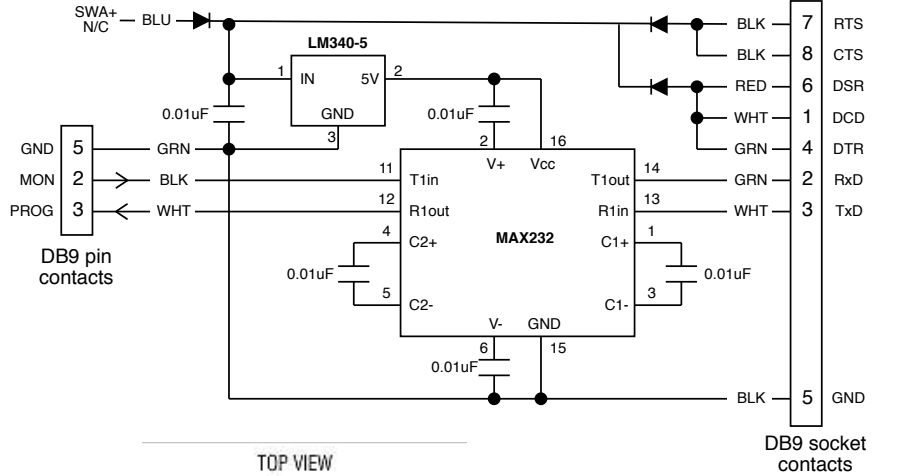
Yaesu VX-2R handheld radio connection diagram



Kenwood TH-F6 handheld radio connection diagram

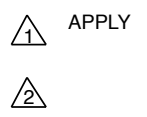


RS232 to TTL from radio interface box (RIB) diagram



- Drawing Index:**
- PM-E1000 General Wiring Diagram
 - PM-E1001 Primary Air-to-Ground Wireless Video Wiring Diagram
 - PM-E1002 Secondary Air-to-Ground Wireless Video Wiring Diagram
 - PM-E1003 I-Gate Station Wiring Diagram
 - PM-E1004 UHF Wireless Video Wiring Diagram
 - PM-E1005 Video Receive, Select, and Stream Wiring Diagram
 - PM-E1006 GPS and PulseOx to APRS Transmitter Wiring Diagram
 - PM-E1007 Weather Station Wiring Diagram
 - PM-E1008 Jumper 2-Way Radio Communications Wiring Diagram
 - PM-E1009 Jumper 10-meter HF Global Communications Wiring Diagram
 - PM-E1010 Slow Scan Television SSTV Camera Wiring Diagram

NOTES: UNLESS OTHERWISE SPECIFIED



DB-9 PC serial port (direction):

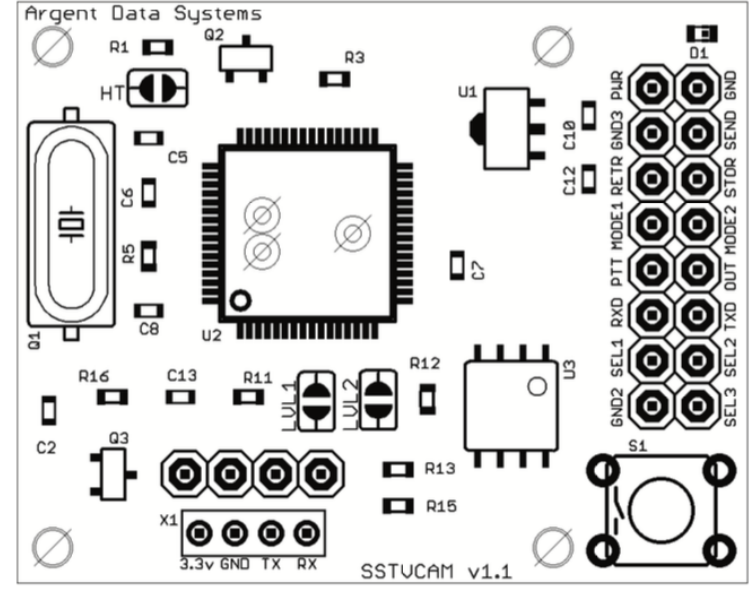
- DCD Carrier Detect (to PC)
- RxD Receive Data (to PC)
- TxD Transmit Data (from PC)
- DTR Data Terminal Ready (from PC)
- Signal Ground
- DSR Data Set Ready (to PC)
- RTS Request To Send (from PC)
- CTS Clear To Send (to PC)
- Ring Indicator (to PC)

SEL1	SEL2	SEL3	Delay
Off	Off	Off	0 seconds
on	Off	Off	10 seconds
Off	On	Off	30 seconds
On	On	Off	60 seconds
Off	Off	On	120 seconds
On	Off	On	300 seconds
Off	On	On	600 seconds
On	On	On	1200 seconds

- Pin Function**
- PWR Power input - 5 to 15 volts DC
 - GND3 Ground
 - RETR Selects memory retrieve mode
 - MODE1 Selects SSTV format
 - PTT Open collector push-to-talk output
 - RXD Serial data input (LVTTTL) - 3.3v max
 - SEL1 Selects memory slot or timer interval
 - GND2 Ground
 - GND Ground
 - SEND Sends or stores a frame
 - STOR Selects memory store mode
 - MODE2 Selects SSTV format
 - OUT Audio output
 - TXD Serial data output (LVTTTL)
 - SEL2 Selects memory slot or timer interval
 - SEL3 Selects memory slot or timer interval

- Jumper Function**
- HT Selects handheld PTT mode
 - SJ1 Increases audio output level
 - SJ2 Increases audio output level

- MODE1 MODE2 Format**
- Off Off Robot 36
 - on Off Robot 72
 - Off On Scottie 2
 - On On Scottie 1



REV	DATE	REVISION DESCRIPTION	DRAWN	APP
1	12-12-17	wiring changes, added Max232 RIB schematic	MF Wright	
0	12-6-17	initial release	MF Wright	

PARACHUTE MOBILE "In The Air, On The Air"
 www.parachutemobile.org

Parachute Mobile Communication Systems
 Slow Scan Television SSTV Camera
 Wiring Diagram

DRAWN MF WRIGHT	CHK MF WRIGHT	INDEX Video Ops	FSCM. NO. 12-12-17	LIMITS UNLESS NOTED
DESIGN ENGR MF WRIGHT	TEAM POSITION MF WRIGHT	AS DWG NO Sheet 1 of 1	SCALE NONE	REV 1

APPLICATION: PARACHUTE MOBILE COMMUNICATIONS SYSTEMS

FILE NAME: ParachuteMobile_E1010