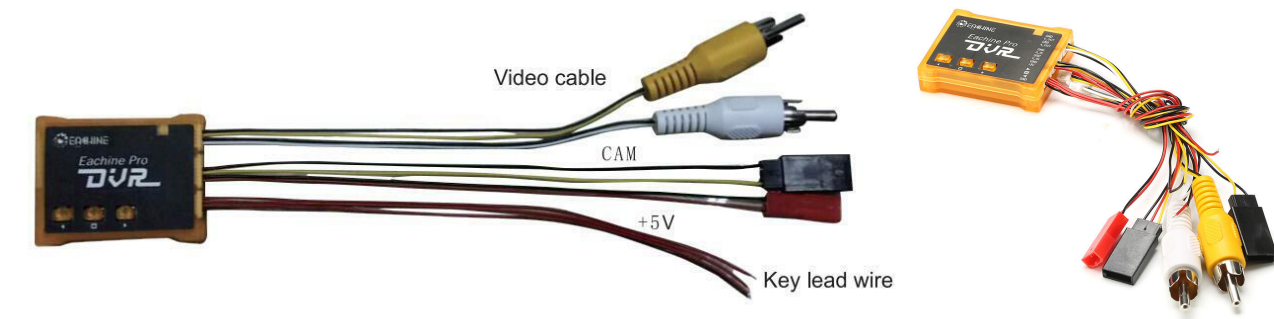
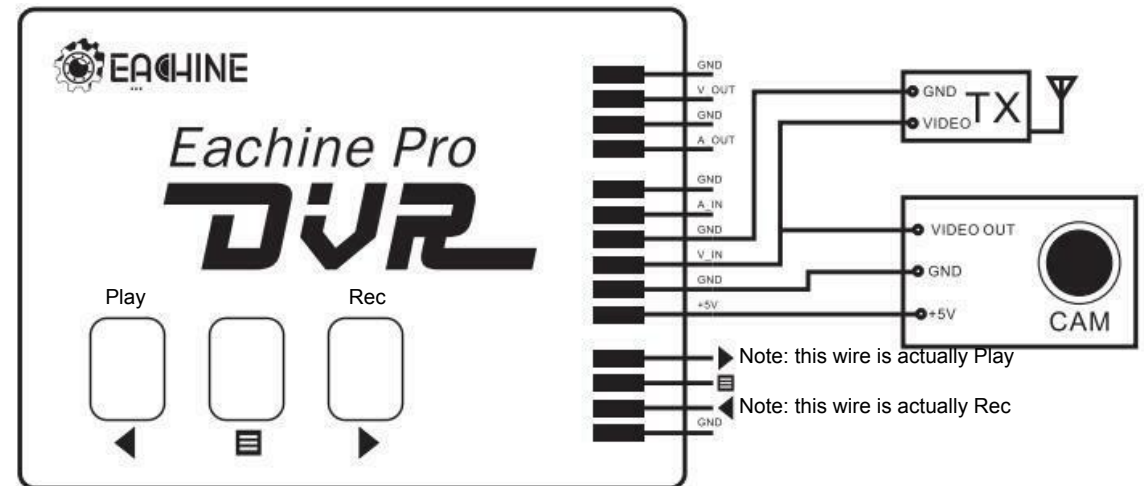
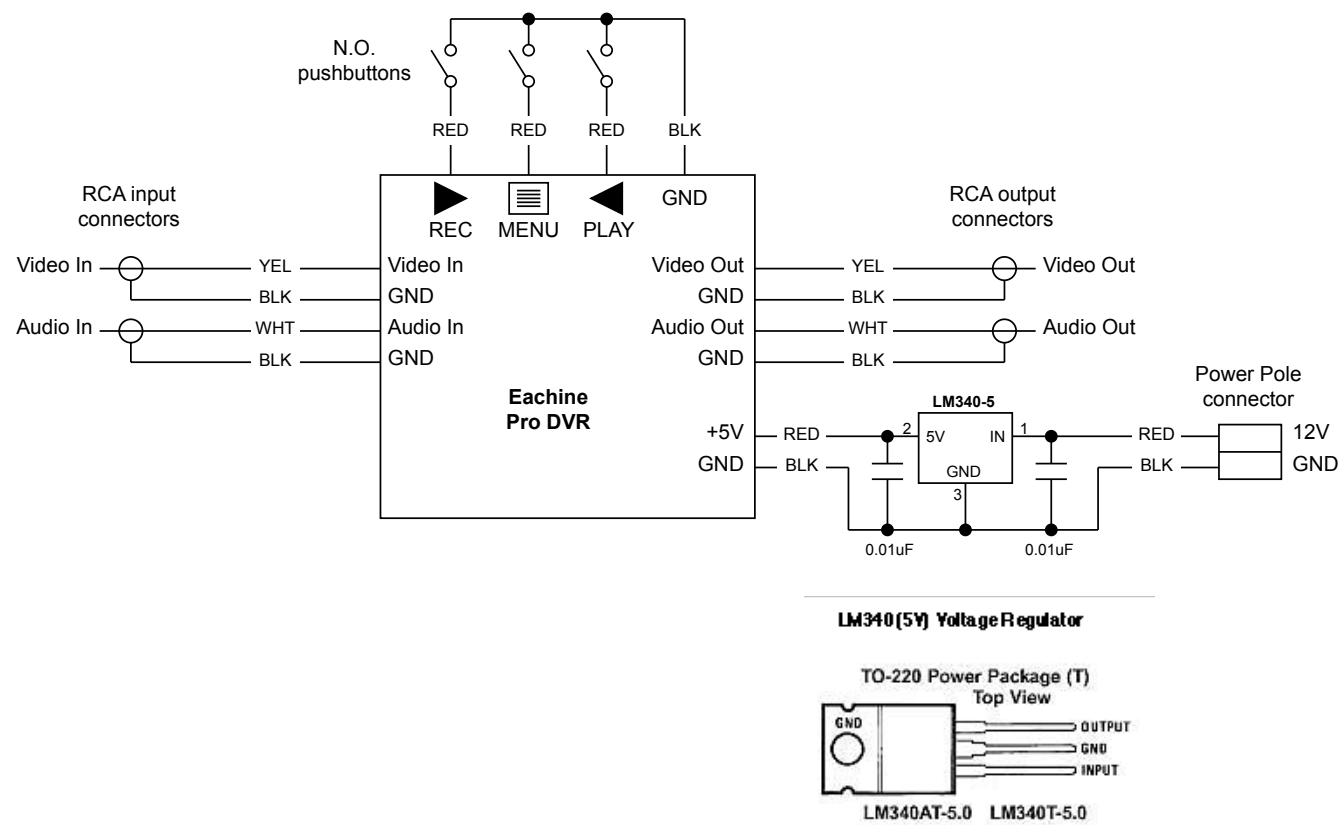


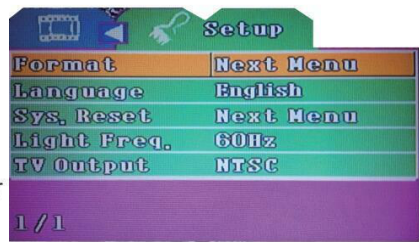
Eachine Mini Video Recorder for FPV drones outfitted for ground based video recording



Note: Procedures have typos, some were fixed here.

Main menu

1. Short press "≡" to enter into Main menu
2. Format the memory card
3. Interface language selection
4. Restore default settings
5. Display frequency
6. TV output system
7. press "◀" to prev "▶" to next, press "≡" to Enter
8. Hold pressing "≡" to exiting Main menu



EACHINE ProDVR Mini Video Audio Recorder for FPV drones & Planes

This HD Digital Video Recorder (DVR) is a great light weight video recorder that can be connected directly to your camera. It is lightweight (9.5g) and small enough to fit in/on most drones, either multi-rotors or planes.

- Features:
- Utilizes popular MicroSD card format
 - A/V input and output Specs
 - Operating Voltage: DC 5V
 - Video Format: NTSC/PAL
 - Video Output Size: VGA(640*480px) - D1(720*480) - HD(1280*480) [stores video as .AVI file]
 - Light Frequency: 50HZ/60HZ
 - Compress Format: MJPEG
 - Records Frame Rate: 30 Frames
 - Max Support: 32G TF Card
 - Size: 41mm*32.9mm*9mm
 - Weight: only 9.5g

Please Note:
Only power this module with +5V.
Requires: 1 x MicroSD Memory card (up to 32GB)

Video recording

1. LED1 lights lit after power
2. Short press "▶" one time, The LED1 flashing it starting video recording, Image 1
3. Short press "▶" once again, The led1 stop flashing, stopped Video recording, Image 2
4. Long press the "≡" button to enter the recording sub menu option, see Figure 3



Replay mode

1. Hold pressing "◀" for 3 seconds to enter into replay mode, Image 4.
2. please shorts press "◀" and "▶" to select the video, and press "≡" to play or pause, press "◀" to forward and "▶" to Rewind when playing. And hold pressing "≡" enter into Submenu, include "delete video" "volume set" hold pressing "≡" again to exiting submenu and replay mode, Image 5



Drawing Index:

- PM-E1000 General Wiring Diagram
- PM-E1001 Primary Air-to-Ground Wireless Video Wiring Diagram
- PM-E1002 Secondary Air-to-Ground Wireless Video Wiring Diagram
- PM-E1003 I-Gate Station Wiring Diagram
- PM-E1004 UHF Wireless Video Wiring Diagram
- PM-E1005 Video Receive, Select, and Stream Wiring Diagram
- PM-E1006 GPS and PulseOx to APRS Transmitter Wiring Diagram
- PM-E1007 Weather Station Wiring Diagram
- PM-E1008 Jumper 2-Way Radio Communications Wiring Diagram
- PM-E1009 Jumper HF Communications Wiring Diagram
- PM-E1010 Slow Scan Television SSTV Camera Wiring Diagram
- PM-E1011 Eachine Mini Video Recorder for FPV drones Wiring Diagram

REV	DATE	REVISION DESCRIPTION	DRAWN	APP
1	7-27-21	fixed a few typos	MF Wright	
0	7-19-21	initial release	MF Wright	

PARACHUTE MOBILE "In The Air, On The Air" www.parachutemobile.org				
Parachute Mobile Communication Systems Eachine Mini Video Recorder for FPV drones Wiring Diagram				
DRAWN MF WRIGHT	CHK	INDEX	FSCM. NO.	LIMITS UNLESS NOTED
DESIGN ENGR MF WRIGHT	TEAM POSITION Video Ops		DATE 7-27-21	
NEXT ASSY	USE ON	CONSULTANT ROB FENN	AS DWG NO Sheet 1 of 1	REV
APPLICATION		TEAM COORDINATOR R. FENN	SCALE NONE	PM-E1011 1